

# FLYCRM- Online Tiffin Management Website

<sup>1</sup>Swaleha Kittur, <sup>2</sup>Snehal Tawar, <sup>3</sup>Khushbu Rathi, <sup>4</sup>Sakshi Kothawade

<sup>1, 2, 3, 4</sup> Final year (B.Tech) students, Department of Computer Engineering, Vishwakarma Institute of Information Technology Pune. (Affiliated to SavitribaiPhule Pune University) Pune.

Date of Submission: 10-12-2022

Date of Acceptance: 20-12-2022

## ABSTRACT

Our suggested method is an easy-to-use online tiffin administration system for the clients. It eliminates the drawbacks of the conventional queuing mechanism. Our suggested technique is a means of managing tiffin without having to deal with mess service. This system enhances the process of taking consumer orders. Customers can easily place orders from a food menu that is set up online by the tiffin management system. Additionally, clients can simply follow orders if there is a food menu. Additionally, this system has a feedback feature that allows users to rank the food products. The suggested system can also benefit the tiffin vendors by evaluating them and promoting them. Both online and pay-on-delivery payment methods are available. A more secure ordering process.

**Keywords:** Online Tiffin management system, Web Dashboard, Data base.

## I. INTRODUCTION

The Tiffin Management website will use the customer's approximate service area to display the closest mess that is available for that location. Customers can purchase home-made tiffin from these accessible messes after viewing the details of each individual mess in a list, with the option of having the tiffin delivered to their address on the days and at the hours of their choosing. The customer has the ability to sample and rate several messes thanks to the tiffin management system. Customers have difficulties when looking for higher-quality, hygienic, and freshly-prepared handmade food online on a single platform, as per the conventional system.

Tiffin management system will bridge the gap between customer cravings for simple home food, getting rid of junk food, and taking care of

their health by maintaining healthy eating habits with better quality food, hygiene, and taste trials. Homemade Tiffin would be available with a single click, ultimately benefiting those who want to grow their food business.

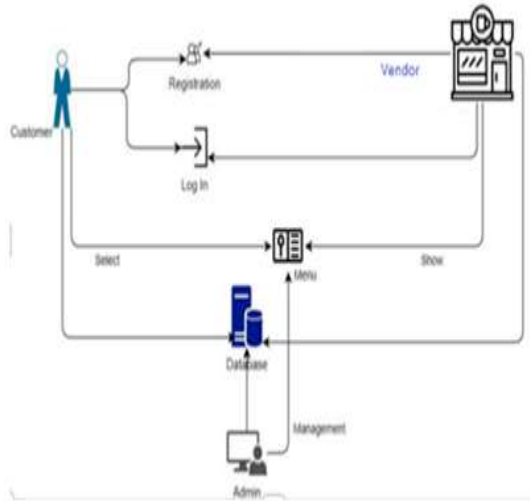
## II. PROBLEM STATEMENT

Customers can easily place orders from a food menu that is set up online by the tiffin management system. Online shoppers can also simply track their orders. The Management keeps up with client data and enhances food delivery services.

In the modern world, the online food service sector is expanding. There are no facilities for home food services like mess and tiffin service in the current system. Such vendors and consumers will be able to access the proposed system as a platform. The system will also continue to monitor consumer feedback and ratings so that the vendor may view sales data and make informed plans. Our suggested system will compel consumers to seek out better and healthier food while simultaneously providing vendors with the publicity they need. The purpose of this website is to give clients access to tiffin food services. By concentrating on their needs, customers can get food at a reasonable price. Users can find the tiffin that someone ordered. Additionally, payment options like COD and wallet are accessible.

## III. METHODOLOGIES

### 3.1 System Architecture



### 3.2 Module 1: Tiffin Vendor

It is designed to be used only by Tiffin vendors, and provides the following functions: Display the orders in an easily readable & graphical format.

**Create Account**

- Fill up all the required details.

**Login**

- With E-mail ID and Password

**CURD Operations**

- Vendor can add update and delete

### Module 2: Customer

This module helps us to provide the functionality for customers to place orders and supply necessary details required.

**Create Account**

- Fill up all the required details.

**Login**

- With E-mail ID and Password.

**Enter Pincode**

- Will check the vendors near by area and list them.
- Select the vendor and book the tiffin.

**The Vendor accepts the request.**

- Daily record and billing will be started.

### Module 3: Admin

A database is that stores related information across multiple tables and allows you to query information in more than one table at the same time. In the database you could set up multiple tables, one for orders and one for customers. The 'customers' table would include a Unique ID number for each customer, along with the name, Address and phone number we were already tracking.

#### Keeps Track

- Registered Tiffin Vendor
- Registered Customers
- Total Number of Orders

## IV. CONCLUSION

As a result, the suggested system's conclusion is based on user needs and is user-centered. All user-related difficulties pertaining to every system user were taken into consideration when developing the system. If a person knows how to use an Android smart phone, they can use this. By giving them a complete system, many problems with the mess/tiffin service will be resolved. As a result, the implementation of an online food ordering system is being done to assist and address one of the major issues facing individuals.

Based on the findings of this study, it can be said that: It makes it easier for customers to place orders; It provides them with the information they need to do so. The restaurant and mess website application may assist them in accepting orders and updating their data. It is also designed for the admin so that they can handle the entire food system.

A mess menu can be set up online with the use of an online tiffin management system, and consumers can make orders with ease. A meal menu online also makes it simple to track orders, maintain customer databases, and enhance food delivery services. Even the mess can easily upload photographs and alter the restaurant's online menu. Potential consumers can readily access a mess menu online and place an order whenever it's convenient for them. This results in the presentation of an automated meal ordering system with wireless communication and feedback features. The suggested system would increase efficiency and draw clients.

## V. ACKNOWLEDGEMENT

We would like to take this opportunity to thank our internal guide Mrs. Shilpa M Katikar for giving us all the help and guidance we needed. We are really grateful to her, for her kind support. Her valuable suggestions were very helpful. We are also grateful to Prof. S. R. Sakhare, Head of Computer Engineering Department, Vishwakarma Institute of Information Technology, for his indispensable support and suggestions. At last, we are thankful to our parents, who have encouraged and inspired us with their blessings.

## REFERENCES

- [1]. AshishRathod, Abhijeet, ChetanWakode, PushpakUbnare, ChandrakantShinde, FOOD FINDER- Mobile food ordering application - By International Journal of Advance Research, Ideas and Innovations in Technology, Volume 4, Issue 2, Nov 2017.
- [2]. Deepak Kumar Choudhary 205112033, Software Requirement Specification on CANTEEN MANAGEMENT SYSTEM, National Institute of Technology Tiruchirappalli-15
- [3]. Khairunnisa K., Ayob J., Mohd. Helmy A.Wahab, M.ErdiAyob, M. IzwanAyob, M. AfifAyob, "The Application of Wireless Food Ordering System" MASAUM Journal of Computing 2009.
- [4]. Serhat Murat Alagoza, HalukHekimoglu, "A study on tam: analysis of customer attitudes in online food ordering system", Elsevier Ltd. 2012.
- [5]. KirtiBhandge, TejasShinde, DheerajIngale, NeerajSolanki, ReshmaTotare, "A Proposed System for Touchpad Based Food Ordering System Using Android Application", International Journal of Advanced Research in Computer Science Technology (IJARCST 2015).
- [6]. VarshaChavan, PriyaJadhav, SnehalKorade, PriyankaTeli, "Implementing Customizable Online Food Ordering System Using Web Based Application", International Journal of Innovative Science, Engineering Technology (IJSET) 2015.